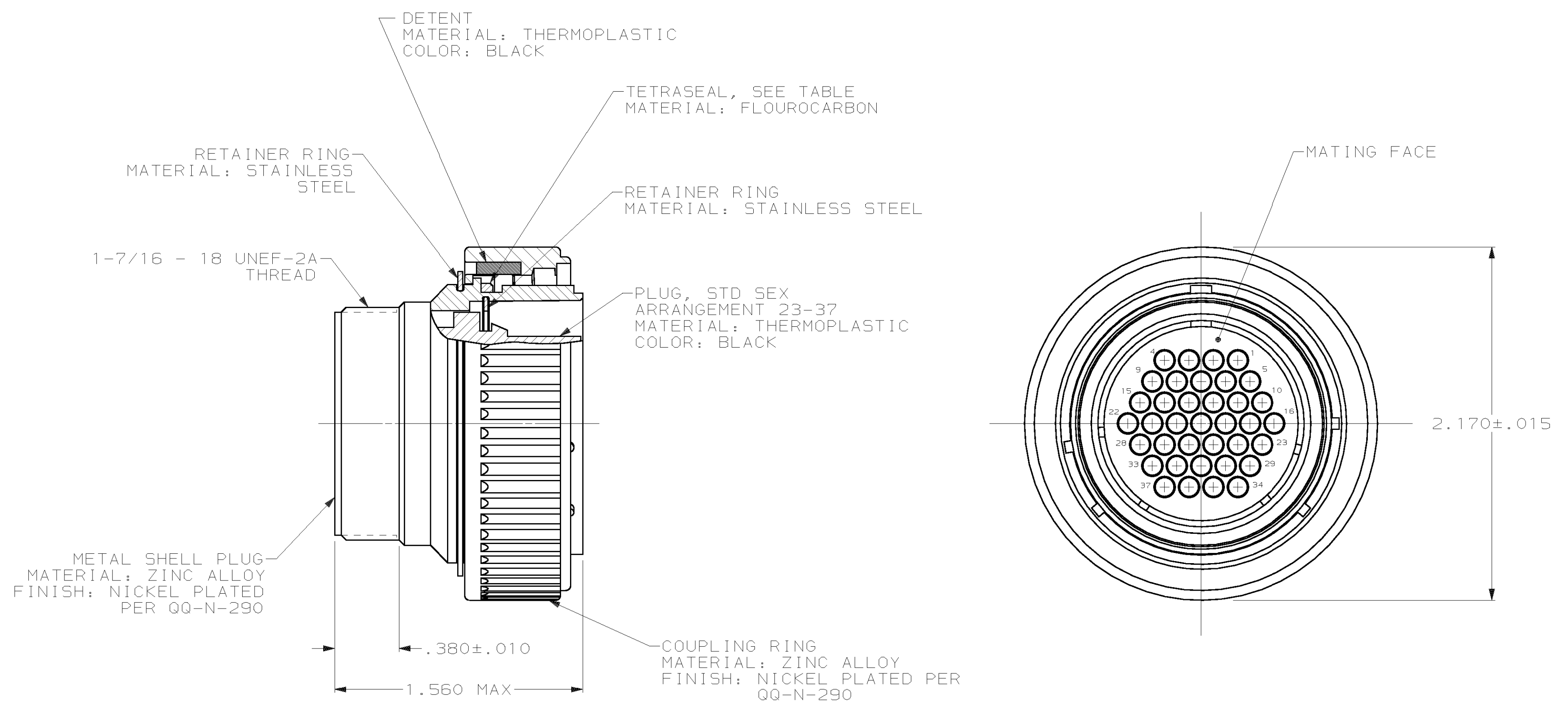


THIS DRAWING IS UNPUBLISHED. RELEASED FOR PUBLICATION  
 © COPYRIGHT 19 BY AMP INCORPORATED. ALL INTERNATIONAL RIGHTS RESERVED.

LOC		DIST		P		F		ZONE		LTR		REVISIONS		DATE	APPD
BD	35											5	REVISED PER EC 063B-0202-99	11-FEB-00	MC



YES	208470-3
NO	208470-1
TETRASEAL	PART NUMBER

- 208470-1 MATES WITH AMP RECEPTACLE 208471-1 OR -2. 208470-3 MATES WITH AMP RECEPTACLE 208471-1 ONLY.
- AMP PART NUMBER AND DATE CODE TO BE LOCATED ON COUPLING RING.

DO NOT SCALE PRINT. UNLESS SPECIFIED DIMENSIONS IN INCHES TOLERANCES ON : 2 PLC DEC ± - 3 PLC DEC ± - ANGLES ± -	DR 6-25-91 R.LEE BG	AMP Incorporated Harrisburg, PA 17105-3608			
MATERIAL SEE CALLOUT	CHK 4-16-92 W.G.LENKER				
FINISH SEE CALLOUT	APPD 4-16-92 K.BEAVER	SIZE	CAGE CODE	DRAWING NO	
	APPD 4-16-92 C.ROHDE	①	00779	208470	
	PRODUCT SPEC 108-10040	SCALE	2:1	SHEET	1 OF 1
	APPLICATION SPEC -	WEIGHT	-		